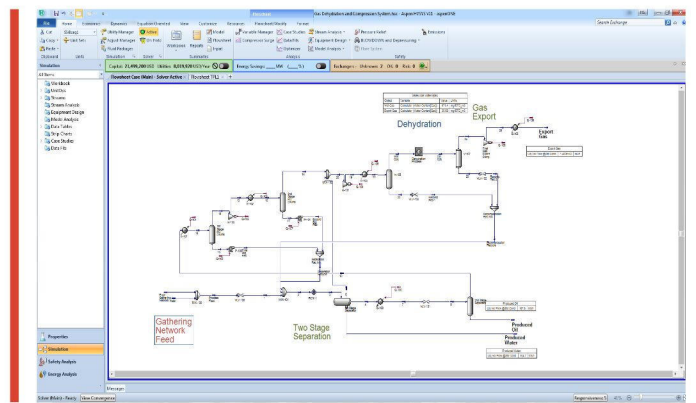
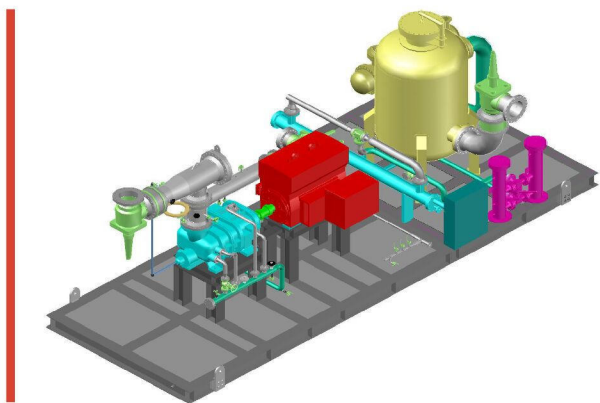




ENGINEERING & DESIGN SERVICES

CHEMTED provides full spectrum of process engineering design services mean we are perfectly placed to help at any stage of a project. Whether you are looking to scale up from the lab to a commercial scale plant, or are investigating ways to optimize process efficiency at your existing facility, we are here to help.



PROCESS ENGINEERING SERVICES

General Services:

- Project definition and scope development
- Conceptual to appropriation cost estimating
- Piping and Instrument Diagram (P&ID) development
- Equipment and instrument specifications
- Piping, equipment and instrument layout & detailing
- Plant debottlenecking and process optimization

Process Simulations Services:

Hydrocarbon Dew point Control, Dehydration, Gas Recovery & Gas Sweetening Plants, Scrubber Packages, Separator Packages like 2 & 3 Phase separators, Heavy crude separators & Test separators, Tail Gas Clean-up Packages & Industrial Refrigeration Systems.



PIPING DESIGN SERVICES

Design & Drafting Services:

Design & drafting of In-Plant Piping for Petrochemical, Chemical, Crude / Gas and Utilities lines according to ASME/ANSI/B31.1/31.3/ B31.8, project specifications and other related Standards.



STEEL STRUCTURE

Design & Drafting Services:

- Skid Packages Structure, Static Equipment Structure & Boiler Complete Structure
- Piping Rack & Pipe Supports, Pre-Engineering Buildings & Flare Stacks etc.

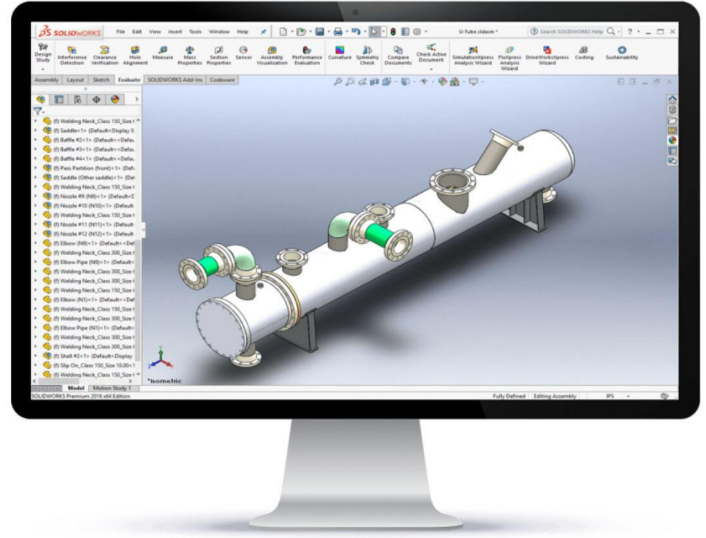




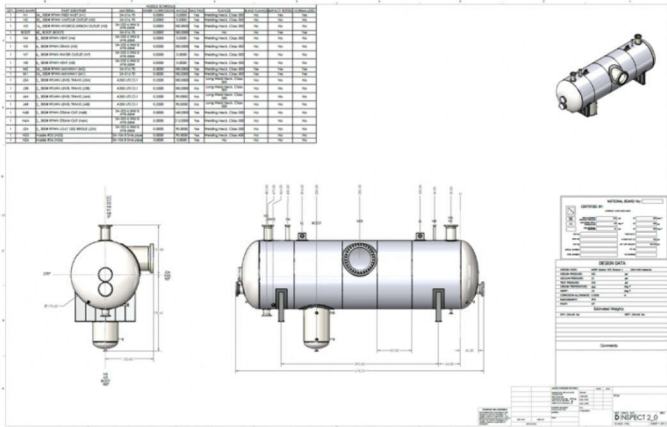
STATIC EQUIPMENT SERVICES

CHEMTED provides a fully detailed engineering design services for static equipment by adhering to the applicable industry standards, specifications, procedures and relevant authorities.

CHEMTED provides high quality and cost-effective mechanical design calculations of pressure vessels and heat exchangers by using licensed software of CODEWARE COMPRESS per ASME section VIII and other applicable codes and standards.



CODEWARE®



OTHER SERVICES

Rotary Equipment

- Data sheet, Specifications & Material Requisitions preparation (for RFQ). Bid Clarifications (TCLs), Technical Bid evaluation (TBEs) and Report, Vendor document review, Vendor-shop review and evaluations.
- Procurement Support (Requisitions, Technical evaluation etc.)
- Consultancy services for fabrication and manufacturing
- Preparation of Customers Specifications, Process Datasheets

Pressure Vessels & Other Equipment:

- Receivers
- Economizers
- Accumulators
- Intercoolers
- Oil Separators
- Oil Filters
- Oil Pots
- Scrubbers
- Surge Drums

Shell & Tube Heat Exchangers:

- Evaporators & Chillers
- Condensers
- Feed/Bottom Exchanger
- Sub & Oil Coolers
- Desuperheaters
- Reboilers
- Thermosyphon
- Gas-to-Gas & Gas-to-Liquid Heat Exchangers

